

[www.ersatzteil-service.de](http://www.ersatzteil-service.de)

[www.ersatzteilplan.de](http://www.ersatzteilplan.de)

# IBEA

Serie: dal n 911850

Stampato n P509002C

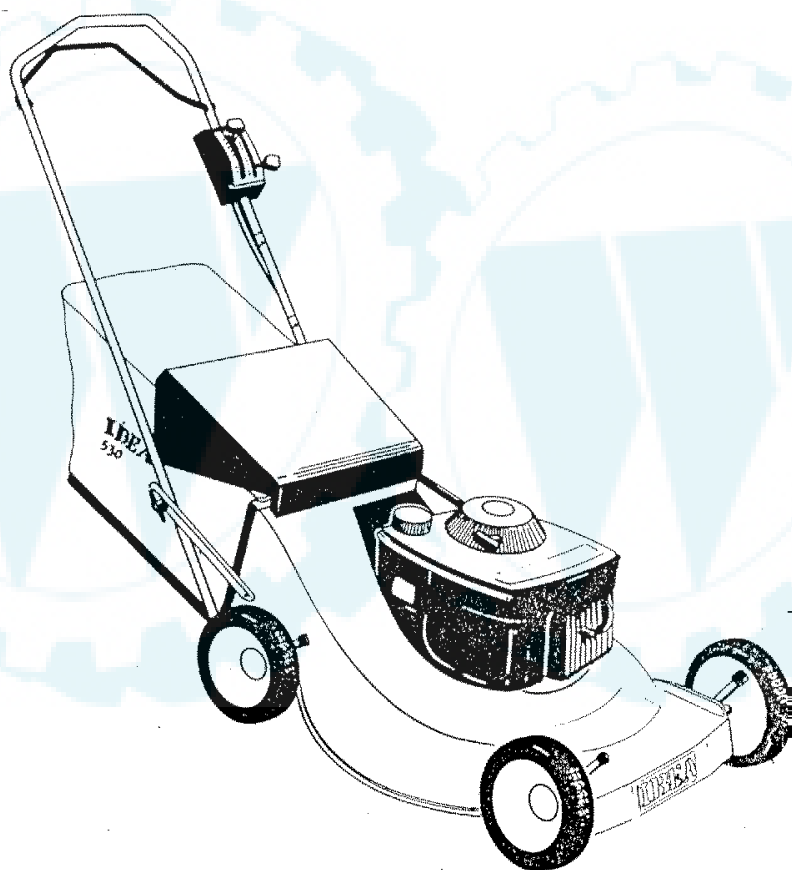
IR-5326

LISTA RICAMBI

SPARE PART LIST

ERSATZTEILLISTE

LISTE DES PIECES DE RECHANGE

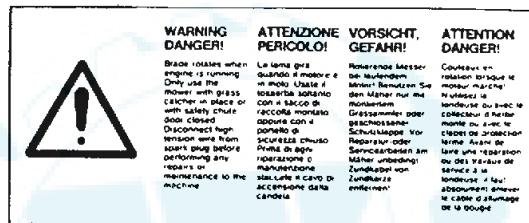
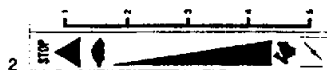


**TOSAERBA**  
**SERIE 530**



mod. **ENDURO**  
mod. **COUNTRY**  
mod. **VARIOMAT**

Ihr Ersatzteilspezialist im Internet

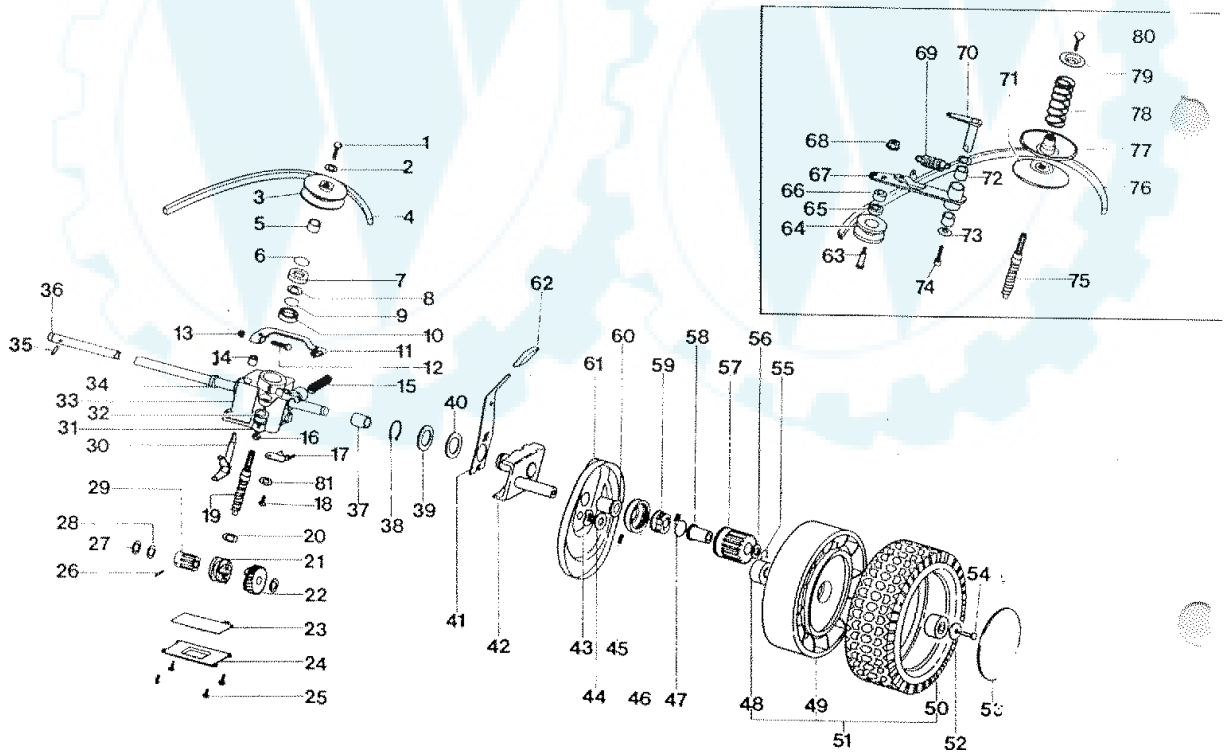


REF. N°	PART. N°	QTY	DESCRIZIONE	DESCRIPTION	DESCRIPTION	BESCHREIBUNG
1	P5140105	1	DECALCO	LABEL	MARQUAGE	AUFKLEBER
2	P5140104	1	DECALCO	LABEL	MARQUAGE	AUFKLEBER
3	P5140439	1	DECALCO	LABEL	MARQUAGE	AUFKLEBER
4	P5140459	1	DECALCO	LABEL	MARQUAGE	AUFKLEBER
5	P5140479	1	DECALCO	LABEL	MARQUAGE	AUFKLEBER
6	P5140516	1	DECALCO	LABEL	MARQUAGE	AUFKLEBER
7	P5140515	1	DECALCO	LABEL	MARQUAGE	AUFKLEBER
8	P5140503	1	DECALCO	LABEL	MARQUAGE	AUFKLEBER
9	P5140109	1	DECALCO	LABEL	MARQUAGE	AUFKLEBER
10	P5140110	1	DECALCO	LABEL	MARQUAGE	AUFKLEBER
*	P5090013	1	MANUALE ISTRUZIONI	INSTRUCTION MANUAL	MODE D'EMPLOI	BEDIENUNGSANLEITUNG
*	P5110008	1	CHIAVE CANDELA 21	KEY 21	CLEF 21	SCHLUESSEL 21
*	P2020138	1	TARGHETTA IBEA PER PORTELLO	IBEA PLAQUE	IBEA PLAQUE	IBEA AUFKLEBER

REF. N°	PART. N°	QTY	DESCRIZIONE	DESCRIPTION	DESCRIPTION	BESCHREIBUNG
1		1	TELAIO	BAG FRAME	MONTURE	GESTELL
2		1	DEFLETTORE	SHIELD	PLAQUE DE PROTECTION	SCHUTZ
3		1	SACCO	BAG	SAC RAMASSE GAZON	GRASFANGSACK
4		1	MOLLA	SPRING	RESSORT	FEDER
5		1	CAVO	CABLE	CABLE	KABEL
6		3	DADO	NUT	ECROU	MUTTER
7		1	MOTORE	ENGINE	MOTEUR	MOTOR
8				SEE TABLE 4/5/6/7	VOIR TABLE 4/5/6/7	SIEHE TABELLE 4/5/6/7
9		1	ASTA REGOLAZIONE	SHAFT	ARBRE	ACHSE
10		2	GALLETTO	KNOB	POIGNÉE	MUTTER
11		2	DADO	NUT	ECROU	MUTTER
12		1	MOLLA	SPRING	RESSORT	FEDER
13		2	STARLOCK	STARLOCK	STARLOCK	STARLOCK
14		1	PORTELLO	SHIELD	PROTECTION	KLAPPE
15		mf.0.50	GUARNIZIONE	STRIP	JOINT	DICHTUNG
16		2	COPRIMOZZO	COVER	COUVERCLE	DECKEL
17		2	VITE	SCREW	VIS	SCHRAUBE
18		2	RONDELLA	WASHER	RONDELLE	SCHIBE
19		2	COPERTONE	TYRE	PNEU	REIFEN
20		4	CUSCINETTO	BEARING	PALIER	LAGER
21		2	CERCHIO	WHEEL HUB	JANTE	FELGE
22		2	COPRIRUOTA	WHEEL COVER	PROTECTION	ABDECKUNG
23		2	DISTANZIALE	SPACER	DOUILLE	ABSTANDSSTUECK
24		2	RONDELLA	WASHER	RONDELLE	SCHIBE
25		2	PORTA RUOTA ANT.	FRONT WHEEL SUPPORT	SUPPORT ROUE ANT	RADHALTER
26		2	VITE	SCREW	VIS	SCHRAUBE
27		2	BUSSOLA	BUSHING	DOUILLE	BUECHSE
28		2	DISTANZIALE	SPACER	DOUILLE	ABSTANDSSTUECK
29		1	ASTINA	SHAFT	ARBRE	ACHSE
30		2	VITE GODRONATA	SCREW	VIS	SCHRAUBE
31		1	VITE	SCREW	VIS	SCHRAUBE
32		1	RONDELLA	WASHER	RONDELLE	SCHIBE
33		2	POMELLO PER LEVA	KNOB	POIGNÉE	ABDECKUNG
34		2	VITE GODRONATA	SCREW	VIS	SCHRAUBE
35		1	LEVA ALZA RUOTA SX	LEFT WHEEL LEVER	LEVIER ROUE GAUCHE	RADHEBEL L.
35		1	LEVA ALZA RUOTA DX	RIGHT WHEEL LEVER	LEVIER ROUE DROITE	RADHEBEL R.
36		2	BUSSOLA	BUSHING	DOUILLE	BUECHSE
37		2	DADO	NUT	ECROU	MUTTER
38		1	LAMA	BLADE	COUTEAU	MESSER
39		1	VITE LAMA	BLADE SCREW	VIS DE COUTEAU	MESSERSCHRAUBE
40		1	ROSETTA SCHNORR	WASHER	RONDELLE	SCHIBE
41		1	MOLLA A TAZZA	SPRING	RESSORT	FEDER
42		1	BUSSOLA LAMA Ø 22.2	BLADE BUSHING Ø 22.5	DOUILLE DE COUTEAU Ø 22.5	MESSERBUECHSE Ø 22.5
42		1	BUSSOLA LAMA Ø 25	BLADE BUSHING Ø25	DOUILLE DE COUTEAU Ø 25	MESSERBUECHSE Ø 25
43		1	CHIAVETTA	KEY	CLAVETTE	SCHIBENFEDER
44		2	VITE 8x75 B&S QUANTUM	SCREW 8x75 B&S QUANTUM	VIS 8x75 B&S QUANTUM	SCHRAUBE 8x75 B&S QUANTUM
44		1	VITE 8x100 B&S QUANTUM	SCREW 8x100 B&S QUANTUM	VIS 8x100 B&S QUANTUM	SCHRAUBE 8x100 B&S QUANTUM
44		3	VITE 8x65 B&S 2 TEMPI	SCREW 8x65 B&S 2 STROKE	VIS 8x65 B&S 2 TEMPS	SCHRAUBE 8x65 B&S 2 TAKT
45		3	RONDELLA	WASHER	RONDELLE	SCHIBE
46		1	SCOCCA	DECK	CHASSIS	GEHAEUSE
47		2	DADO	NUT	ECROU	MUTTER
48		1	RICCIOLO	ROPE GUIDE	GUIDE-FIL	SEILFUHRUNG
49		1	VITE	SCREW	VIS	SCHRAUBE
50		2	COPRINCINGHIA	BELT COVER	PROTECTION	KEILRIEMEN
51		2	VITE	SCREW	VIS	SCHRAUBE
52		1	VITE TRUCIOLARE	SCREW	VIS	SCHRAUBE
53		1	ASTA REGOLAZIONE	SHAFT	ARBRE	ACHSE
54		2	VITE	SCREW	VIS	SCHRAUBE
55		2	DADO	NUT	ECROU	MUTTER
56		2	STEGOLA INFERIORE	LOWER HANDLEBAR	GUIDON INF.	HOLMUNTERTEIL
57		1	FASCETTA	CLAMP	BRIDE	RAPPBAND
58		1	COLLARE	RING	BAGUE	RING
59		1	FISSATORE	SUPPORT	SUPPORT	HALTER
60		2	RUOTA COMPLETA	WHEEL ASSY.	ROUE COMPL.	RAD KOMPL.
*		1	CESTELLO COMPLETO	GRASS BAG COMPL.	SAC RAMASSE COMPL.	GRASFANGSACK KOMPL.

Tav. 2

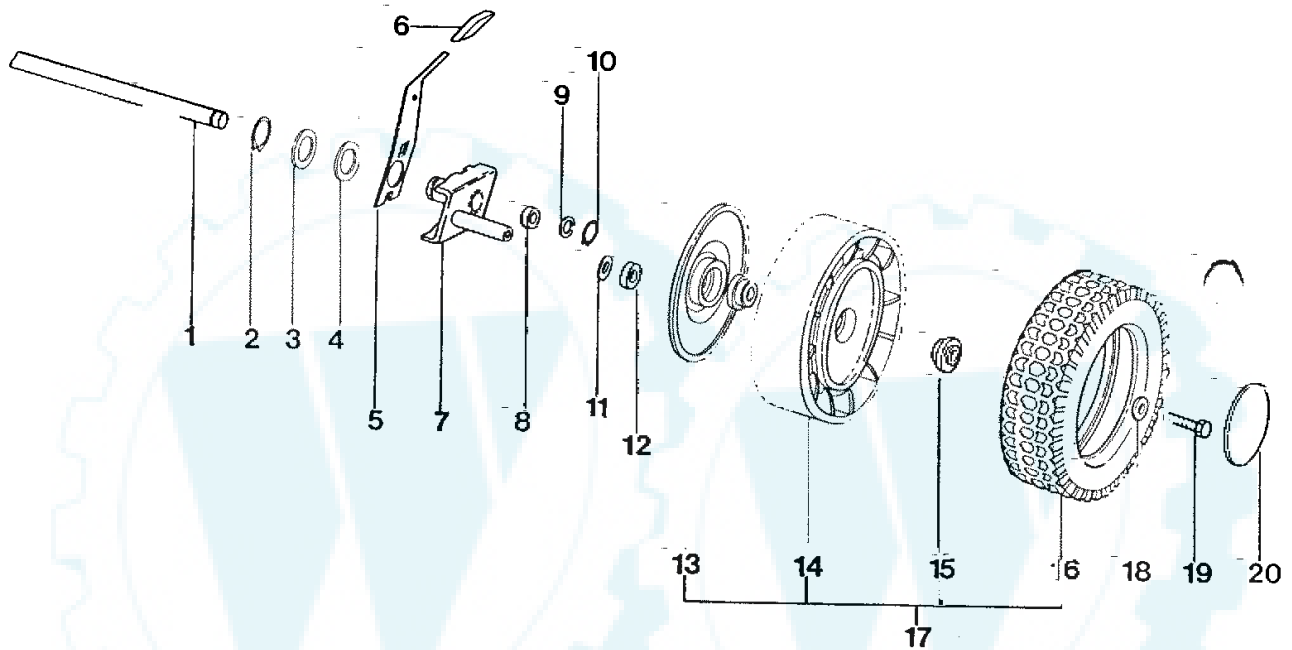
Vista assale posteriore e riduttore COUNTRY-VARIOMAT  
Rear axle and gear box COUNTRY-VARIOMAT  
Essieu arrière et transmission COUNTRY-VARIOMAT  
Hinterachse und Fahrantriebs COUNTRY-VARIOMAT



REF. N°	PART. N°	QTY	DESCRIZIONE	DESCRIPTION	DESCRIPTION	BESCHREIBUNG
1	1010018A1	1	VITE	SCREW	VIS	SCHRAUBE
2	1020007A1	1	RONDELLA	WASHER	RONDELLE	SCHEIBE
3	P3040048	1	PULEGGIA	PULLEY	POULIE	RIEMENSCHIEBE
4	P3010019	1	CINGHIA TRASMISSIONE	TRANSMISSION BELT	COURROIE DE TRANSMISSION	RIEMEN
5	P3040049	1	BUSSOLA DISTANZIALE	BUSHING	DOUILLE	BUECHSE
6	P3170013	1	O RING 2043	O RING 2043	JOINT TORIQUE 2043	GUMMIRING 2043
7	P3170010	1	PARA OLIO	OIL SEAL	JOINT D'ARBRE	WELLENDICHRING
8	P1020051	1	SPESSORE	WASHER	RONDELLE	SCHEIBE
9	P1070004	1	SEEGER	CIRCLIP	SEEGER	SEEGER
10	P3030010	1	CUSCINETTO	BEARING	PAUIER	LAGER
11	P4070011	1	LEVA PER RIDUTTORE	LEVER	LEVIER	HEBEL
12	P1010075	1	VITE	SCREW	VIS	SCHRAUBE
13	1050003A1	1	DADO	NUT	ECROU	MUTTER
14	P3170012	1	PARA OLIO	OIL SEAL	JOINT D'ARBRE	WELLENDICHRING
15	P3020010	1	MOLLA	SPRING	RESSORT	FEDER
16	P1010073	1	VITE	SCREW	VIS	SCHRAUBE
17	P4030010	1	COPERCHIO MOLLA	SPRING COVER	COUVERCLE	FEDERHALTER
18	P1010076	1	VITE	SCREW	VIS	SCHRAUBE
19	P3040042	1	VITE SENZA FINE	WORM GEAR	VIS S. FIN	SCHNECKE
20	P1020053	1	SPESSORE	WASHER	RONDELLE	SCHEIBE
21	P00038099	1	INNESTO	SELECTOR COLLAR	MANCHON	SCHALTBUECHSE
22	P00038199	1	CORONA	WORM WHEEL	ROUE POUR VIS S. FIN	SCHNECKENRAD
23	P3170014	1	O RING	O RING	JOINT TORIQUE	GUMMIRING
24	P4110001	1	COPERCHIO SCATOLA	BOX COVER	COUVERCLE	DECKEL
25	P1010076	4	VITE	SCREW	VIS	SCHRAUBE
26	P1080007	1	SPINA	PIN	GOUPILLE	STIFT
27	1020020A1	2	SPESSORE	WASHER	RONDELLE	SCHEIBE
28	P1020051	1	SPESSORE	WASHER	RONDELLE	SCHEIBE
29	P3050030	1	BUSSOLA SCANALATA	BUSHING	DOUILLE CANELÉE	KEILHUELSE
30	P3040041	1	FORCELLA INNESTO	FORK	FOURCHE	GABEL
31	P1020054	1	RONDELLA	WASHER	RONDELLE	SCHEIBE
32	P2040010	1	GOMMINO	RUBBER TUBE	TUBE DE PROTECTION	SCHUTZHUELLE
33	P00039199	1	SCATOLA RIDUTTORE	GEAR BOX	BOITE DE RÉDUCTEUR	UNTERSETZUNGSGETRIEBE
34	P3170011	2	PARA OLIO	OIL SEAL	JOINT D'ARBRE	WELLENDICHRING
35	P1080004	2	SPINA	PIN	GOUPILLE	STIFT
36	P3040075	1	ALBERO TRASMISSIONE	TRANSMISSION SHAFT	ARBRE DE TRANSMISSION	WELLE
37	3030003A1	2	CUSCINETTO	BEARING	PAUIER	LAGER
38	P1070008	2	SEEGER	CIRCLIP	SEEGER	SEEGER
39	P1020058	2	DISTANZIALE	SPACER	DOUILLE	ABSTANDSSTUECK
40	P1020057	2	DISTANZIALE	SPACER	DOUILLE	ABSTANDSSTUECK
41	P4020019	1	LEVA ALZA RUOTA POST. SX	LEFT REAR WHEEL LEVER	LEVIER ROUE POST. GAUCHE	RADHEBEL L.
41	P4020020	1	LEVA ALZA RUOTA POST. DX	RIGHT REAR WHEEL LEVER	LEVIER ROUE POST. DROITE	RADHEBEL R.
42	P4020029	2	PORTA RUOTA POST.	REAR WHEEL SUPPORT	SUPPORT ROUE POST.	RADHALTER
43	P1020050	2	RONDELLA ELASTICA	SPRING WASHER	RONDELLE ELAST.	FEDERSCHIEBE
44	P2020088	2	DISTANZIALE PER RUOTA	SPACER	DOUILLE	ABSTANDSSTUECK
45	P2110001	4	SALTARELLO	CAM	CLIQUET	NOCKEN
46	P2020060	2	COPRIPIGNONE	CAGE	CAGE	KAFIG
47	P3020012	2	MOLLA	SPRING	RESSORT	FEDER
48	P3030013	4	CUSCINETTO	BEARING	PAUIER	LAGER
49	P2020084	2	CERCHIO	WHEEL HUB	JANTE	FELGE
50	P2020083	2	COPERTONE	TYRE	PNEU	REIFEN
51	P00015276	2	RUOTA COMPLETA	WHEEL ASSY.	ROUE COMPL.	RAD KOMPL.
52	1020007A1	2	RONDELLA	WASHER	RONDELLE	SCHEIBE
53	P2020062	2	COPRIMOZZO	COVER	COUVERCLE	DECKEL
54	1010018A1	2	VITE PER RUOTA	WHEEL SCREW	VIS POUR ROUE	RADSCHRAUBE
55	1070001A1	2	SEEGER	CIRCLIP	SEEGER	SEEGER
56	1020020A1	2	SPESSORE	WASHER	RONDELLE	SCHEIBE
57	P3050031	2	PIGNONE	PINION	PIGNON	RITZEL
58	P2020059	2	BUSSOLA	BUSHING	DOUILLE	BUECHSE
59	P2100001	2	CRICCHETTO	DRIVER	CLIQUET	MITNEHMER
60	P2020070	2	BUSSOLA	BUSHING	DOUILLE	BUECHSE
61	P4030011	2	COPRI RUOTA	WHEEL COVER	PROTECTION	ABDECKUNG
62	P2020077	2	POMELLO PER LEVA	KNOB	POIGNÉE	ABDECKUNG
63	P3040068	1	PERNO	BOLT	BOULON	STIFT
64	P3040063	1	PULEGGIA GALOPPINO	PULLEY	POULIE	RIEMENSCHIEBE
65	P3030014	1	CUSCINETTO	BEARING	PAUIER	LAGER
66	P3040064	1	DISTANZIALE	SPACER	DOUILLE	ABSTANDSSTUECK
67	P4010040	1	LEVA TENDICINGHIA	LEVER	LEVIER	HEBEL
68	P1050011	1	DADO	NUT	ECROU	MUTTER
69	P3020014	1	MOLLA	SPRING	RESSORT	FEDER
70	P4010041	1	PERNO	BOLT	BOULON	STIFT
71	P3040051	1	SEMI PULEGGIA INF.	HALF PULLEY	SEMI POULIE	GETEILTE RIEMENSCHIEBE
72	1030002A1	2	BUSSOLA	BUSHING	DOUILLE	BUECHSE
73	1020020A1	2	SPESSORE	WASHER	RONDELLE	SCHEIBE
74	P1010074	1	VITE	SCREW	VIS	SCHRAUBE
75	P3040043	1	VITE SENZA FINE	WORM GEAR	VIS S. FIN	SCHNECKE
76	P3010012	1	CINGHIA	BELT	COURROIE	RIEMEN
77	P3040050	1	SEMI PULEGGIA SUP.	HALF PULLEY	SEMI POULIE	GETEILTE RIEMENSCHIEBE
78	P3020015	1	MOLLA	SPRING	RESSORT	FEDER
79	P4010044	1	RONDELLA	WASHER	RONDELLE	SCHEIBE
80	P1010066	1	VITE	SCREW	VIS	SCHRAUBE
81	P1020076	1	RONDELLA	WASHER	RONDELLE	SCHEIBE
	P00078668	1	SCATOLA RIDUTTORE	GEAR BOX ASSY.	BOITE DE RÉDUCTEUR	UNTERSETZUNGSGETRIEBE
			COMPL. MONOMARCIA	1 SPEED	COMPL. 1 VITESSE	GANG
	P00078669	1	SCATOLA RIDUTTORE	GEAR BOX ASSY. x	BOITE DE RÉDUCTEUR	UNTERSETZUNGSGETRIEBE
			COMPL. x VARIOMAT	VARIOMAT	COMPL. x VARIOMAT	VARIOMAT

Tav. 3

Vista assale posteriore ENDURO  
 Rear axle ENDURO  
 Essieu arrière ENDURO  
 Hinterachse ENDURO



REF. N°	PART. N°	QTY	DESCRIZIONE	DESCRIPTION	DESCRIPTION	BESCHREIBUNG
1	P3040078	1	ALBERO	SHAFT	ARBRE	WELLE
2	P1070008	2	SEEGER	CIRCLIP	SEEGER	SEEGER
3	P1020058	2	DISTANZIALE	SPACER	DOUILLE	ABSTANDSSTUECK
4	P1020057	2	DISTANZIALE	SPACER	DOUILLE	ABSTANDSSTUECK
5	P4020019	1	LEVA POST. SX	LEFT REAR LEVER	LEVIER POST. GAUCHE	HEBEL L.
5	P4020020	1	LEVA POST. DX	RIGHT REAR LEVER	LEVIER POST. DROITE	HEBEL R.
6	P2020077	2	POMELLO LEVA	KNOB	POIGNÉE	ABDECKUNG
7	P4020029	2	PORTA RUOTA POST.	REAR WHEEL SUPPORT	SUPPORT ROUE POST.	RADHALTER
8	1030002A1	2	BUSSOLA	BUSHING	DOUILLE	BUECHSE
9	1020020A1	50	SPESSORE	WASHER	RONDELLE	SCHIBE
10	1070001A1	2	SEEGER	CIRCLIP	SEEGER	SEEGER
11	P1020050	2	RONDELLA ELASTICA	SPRING WASHER	RONDELLE ELAST.	FEDERSCHIBE
12	P2020068	2	DISTANZIALE	SPACER	DOUILLE	ABSTANDSSTUECK
13	P2020128	2	COPRI RUOTA	WHEEL COVER	PROTECTION	ABDECKUNG
14	P2020082	2	CERCHIO	WHEEL HUB	JANTE	FELGE
15	P3030013	4	CUSCINETTO	BEARING	PALIER	LAGER
16	P2020083	2	COPERTONE	TYRE	PNEU	REIFEN
17	P00015176	2	RUOTA COMPL.	WHEEL ASSY.	ROUE COMPL.	RAD KOMPL.
18	1020007A1	2	RONDELLA	WASHER	RONDELLE	SCHIBE
19	1010018A1	2	VITE	SCREW	VIS	SCHRAUBE
20	P2020062	2	COPRIMOZZO	COVER	COUVERCLE	DECKEL

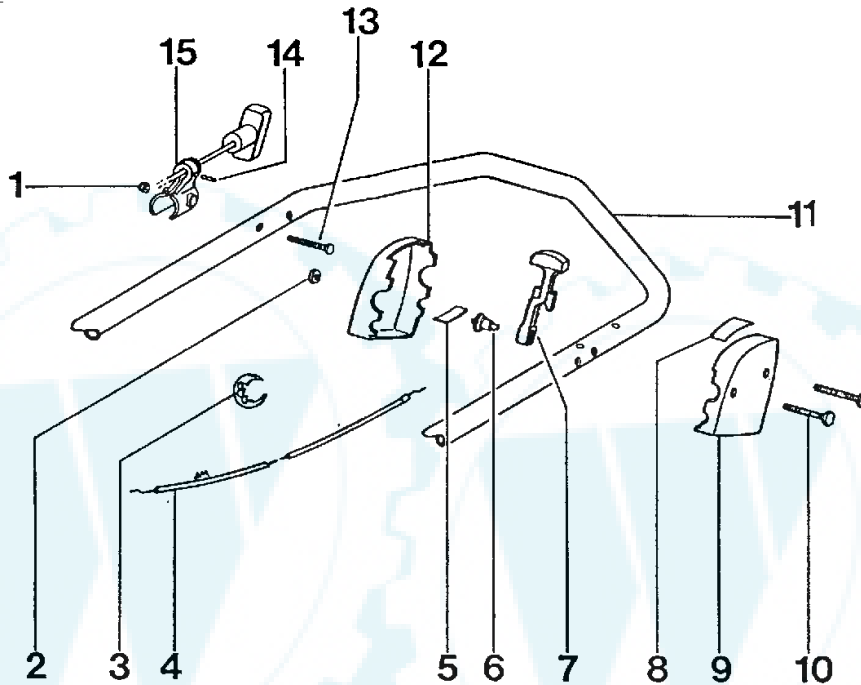
Tav. 4

Vista stegola superiore e comandi ENDURO

Upper handle and controls ENDURO

Mancheron partie supérieur et éléments de commande ENDURO

Lenkeroberteil und Bedienungselemente ENDURO



REF. N°	PART. N°	QTY	DESCRIZIONE	DESCRIPTION	DESCRIPTION	BESCHREIBUNG
1	1050002A1	1				
2	1050003A1	2				
3	P2020080	1				
4	P5020033	1				
4	P5020014	1				
5	P4010059	1				
6	P2020108	1				
7	P00065099	1				
8	P5140515	1				
8	P5140516	1				
9	P2020107	1				
10	P1010102	2				
11	P02070154	1				
12	P2020106	1				
13	1010002A1	1				
14	P1080008	1				
15	P00064599	1				

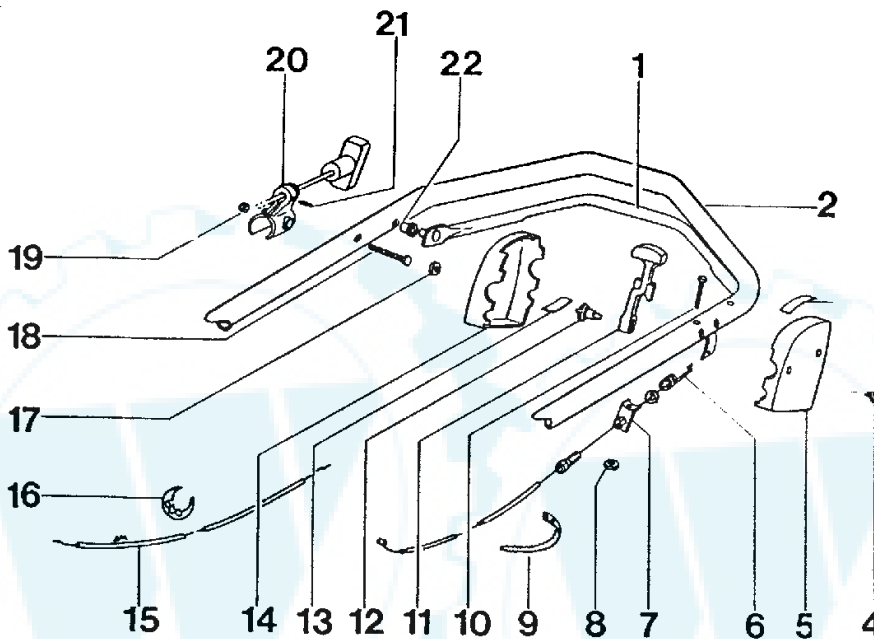
Tav. 5

Vista stegola superiore e comandi COUNTRY

Upper handle and controls COUNTRY

Mancheron partie supérieur et éléments de commande COUNTRY

Lenkeroberteil und Bedienungselemente COUNTRY



REF. N°	PART. N°	QTY	DESCRIZIONE	DESCRIPTION	DESCRIPTION	BESCHREIBUNG
1	P02042181	1	MANIGLIA TRAZIONE	TRACTION LEVER	LEVIER DE TRACTION	ANTRIEBSHEBEL
2	P02070154	1	STEGOLA SUPERIORE	UPPER HANDLEBAR	GUIDON SUP.	OB. FUEHRUNGSHOLM
3	P5140515	1	DECALCO	DECAL	MARQUAGE	AUFKLEBER
3	P5140516	1	DECALCO	DECAL	MARQUAGE	AUFKLEBER
4	P1010102	2	VITE	SCREW	MARQUAGE	AUFKLEBER
5	P2020107	1	SEMI SCATOLA SX	HOUSING LEFT	VIS	SCHRAUBE
6	P5010029	1	CAVO TRAZIONE	TRACTION CABLE	BOITE GAUCHE	SCHALE L.
7	P4010060	1	PIASTRINA	PLATE	CABLE DE TRACTION	ANTRIEBSKABEL
8	1050003A1	1	DADO	NUT	PLAQUE	PLATTE
9	5040001A1	1	FASCETTA	CLAMP	ECROU	MUTTER
10	P1010078	1	VITE	SCREW	BRIDE	RAPPBAND
11	P00065099	1	LEVA	LEVER	VIS	SCHRAUBE
12	P2020108	1	PERNO	BOLT	LEVIER	HEBEL
13	P4010059	1	MOLLA	SPRING	BOULON	STIFT
14	P2020106	1	SEMI SCATOLA DX	HOUSING RIGHT	RESSORT	FEDER
15	P5020033	1	CAVO ACCELERATORE x B&S QUANTUM 4 TEMPI	THROTTLE CABLE x B&S QUANTUM 4 STROKE	BOITE DROITE	SCHALE R.
16	P2020080	1	FERMA CAVO	CLIP	CABLE DE GAZ x	GASHEBEL x
17	1050003A1	2	DADO	NUT	B&S QUANTUM 4 TEMPS	B&S QUANTUM 4 TAKT
18	1010002A1	1	VITE	SCREW	CLIP	HALTER
19	1050002A1	1	DADO	NUT	ECROU	MUTTER
20	P00064599	1	SUPPORTO	SUPPORT	VIS	SCHRAUBE
21	P1080008	1	SPINA	PIN	ECROU	MUTTER
22	P2020153	2	BUSSOLA	BUSHING	SUPPORT	HALTER
*	P00035099	2	SCATOLA ACC. COMP.	THROTTLE ASSY.	GOUPILLE	STIFT
					DOUILLE	BUECHSE
					BOITE DE GAZ COMPL.	GASHEBEL KOMPL.



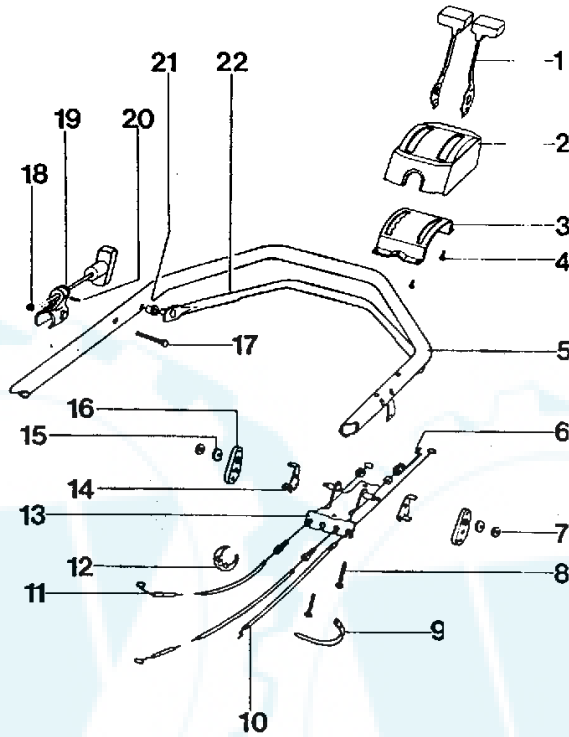
Tav. 6

Vista stegola superiore e comandi VARIOMAT

Upper handle and controls VARIOMAT

Mancheron partie supérieur et éléments de commande VARIOMAT

Lenkeroberteil und Bedienungselemente VARIOMAT



REF. N°	PART. N°	QTY	DESCRIZIONE	DESCRIPTION	DESCRIPTION	BESCHREIBUNG
1	P00044982	2	LEVA COMANDI	CONTROL LEVER	LEVIER DE COMMANDE	STEUERHEBEL
2	P2020065	1	SCATOLA COMANDI	CONTROL HOUSING	BOITE DE COMMANDE	STEUERGEHAUSE
3	P4020011	1	PIASTRA	PLATE	PLAQUE	PLATTE
4	P1010061	4	VITE	SCREW	VIS	SCHRAUBE
5	P02070154	1	STEGOLA SUPERIORE	UPPER HANDLEBAR	GUIDON SUP.	OB. FUEHRUNGSHOLM
6	P5010032	1	CAVO TRAZIONE	TRACTION CABLE	CABLE DE TRACTION	ANTRIEBSKABEL
7	P1050007	2	DADO	NUT	ECROU	MUTTER
8	P1010068	2	VITE	SCREW	VIS	SCHRAUBE
9	S040001A1	1	FASCETTA	CLAMP	BRIDE	RAPPBAND
10	P5020034	1	CAVO ACC. B&S QUANTUM	THROTTLE CABLE B&S QUANTUM	CABLE DE GAZ B&S QUANTUM	GASHEBEL B&S QUANTUM
10	P5020014	1	CAVO ACC. B&S 2 TEMPI	THROTTLE CABLE B&S 2 STROKE	CABLE DE GAZ B&S 2 TEMPS	GASHEBEL B&S 2 TAKT
11	P5010012	1	CAVO ACC. TECUMSEH OHV	THROTTLE CABLE TECUMSEH OHV	CABLE DE GAZ TECUMSEH OHV	GASHEBEL TECUMSEH OHV
12	P2020080	1	CAVO VARIATORE	SPEED VARIATOR CABLE	CABLE DE VITESSE	KABEL-GESCHWINDIGKEIT
13	P4020010	1	FERMA CAVO	CLIP	CLIP	HALTER
14	P4020012	2	PORTA SCATOLA	SUPPORT	SUPPORT	HALTER
15	P4020012	2	PIASTRINA	PLATE	PLAQUE	PLATTE
16	1020007A1	2	RONDELLA	WASHER	RONDELLE	SCHIEBE
17	P2020067	2	GUIDA CAVO	CABLE GUIDE	GUIDE CABLE	KABELFUEHRUNG
18	1050002A1	1	VITE	SCREW	VIS	SCHRAUBE
19	P00064599	1	DADO	NUT	ECROU	MUTTER
20	P1080008	1	SUPPORTO	SUPPORT	SUPPORT	HALTER
21	P2020153	2	SPINA	PIN	GOUILLE	STIFT
22	P02042181	2	BUSSOLA	BUSHING	DOUILLE	BUECHSE
			MANIGLIA TRAZIONE	TRACTION LEVER	LEVIER DE TRACTION	ANTRIEBSHEBEL

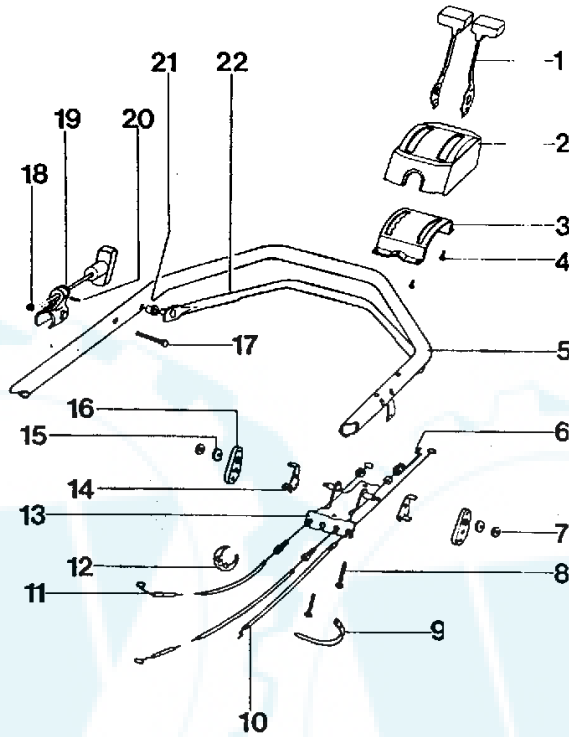
Tav. 6

Vista stegola superiore e comandi VARIOMAT

Upper handle and controls VARIOMAT

Mancheron partie supérieur et éléments de commande VARIOMAT

Lenkeroberteil und Bedienungselemente VARIOMAT



REF. N°	PART. N°	QTY	DESCRIZIONE	DESCRIPTION	DESCRIPTION	BESCHREIBUNG
1	P00044982	2	LEVA COMANDI	CONTROL LEVER	LEVIER DE COMMANDE	STEUERHEBEL
2	P2020065	1	SCATOLA COMANDI	CONTROL HOUSING	BOITE DE COMMANDE	STEUERGEHAUSE
3	P4020011	1	PIASTRA	PLATE	PLAQUE	PLATTE
4	P1010061	4	VITE	SCREW	VIS	SCHRAUBE
5	P02070154	1	STEGOLA SUPERIORE	UPPER HANDLEBAR	GUIDON SUP.	OB. FUEHRUNGSHOLM
6	P5010032	1	CAVO TRAZIONE	TRACTION CABLE	CABLE DE TRACTION	ANTRIEBSKABEL
7	P1050007	2	DADO	NUT	ECROU	MUTTER
8	P1010068	2	VITE	SCREW	VIS	SCHRAUBE
9	S040001A1	1	FASCETTA	CLAMP	BRIDE	RAPPBAND
10	P5020034	1	CAVO ACC. B&S QUANTUM	THROTTLE CABLE B&S QUANTUM	CABLE DE GAZ B&S QUANTUM	GASHEBEL B&S QUANTUM
10	P5020014	1	CAVO ACC. B&S 2 TEMPI	THROTTLE CABLE B&S 2 STROKE	CABLE DE GAZ B&S 2 TEMPS	GASHEBEL B&S 2 TAKT
11	P5010012	1	CAVO ACC. TECUMSEH OHV	THROTTLE CABLE TECUMSEH OHV	CABLE DE GAZ TECUMSEH OHV	GASHEBEL TECUMSEH OHV
12	P2020080	1	CAVO VARIATORE	SPEED VARIATOR CABLE	CABLE DE VITESSE	KABEL-GESCHWINDIGKEIT
13	P4020010	1	FERMA CAVO	CLIP	CLIP	HALTER
14	P4020012	2	PORTA SCATOLA	SUPPORT	SUPPORT	HALTER
15	P4020012	2	PIASTRINA	PLATE	PLAQUE	PLATTE
16	1020007A1	2	RONDELLA	WASHER	RONDELLE	SCHIEBE
17	P2020067	2	GUIDA CAVO	CABLE GUIDE	GUIDE CABLE	KABELFUEHRUNG
18	1050002A1	1	VITE	SCREW	VIS	SCHRAUBE
19	P00064599	1	DADO	NUT	ECROU	MUTTER
20	P1080008	1	SUPPORTO	SUPPORT	SUPPORT	HALTER
21	P2020153	2	SPINA	PIN	GOUILLE	STIFT
22	P02042181	2	BUSSOLA	BUSHING	DOUILLE	BUECHSE
			MANIGLIA TRAZIONE	TRACTION LEVER	LEVIER DE TRACTION	ANTRIEBSHEBEL

Tav. 1

Vista generale ENDURO - COUNTRY - VARIOMAT  
Complete machine ENDURO - COUNTRY - VARIOMAT  
Vue d'ensemble ENDURO - COUNTRY - VARIOMAT  
Gesamtansicht ENDURO - COUNTRY - VARIOMAT

